

# Specification



## Opal 2 Range GU10

4W  
≈  
35W



Life  
20000hrs

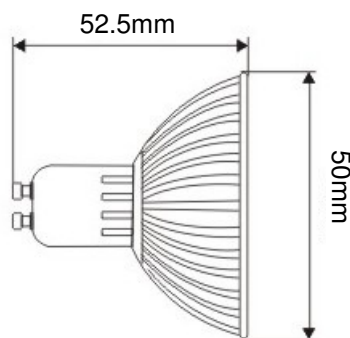
### Key Features:

- No Flicker
- Low Energy
- Long Life
- Shock Resistant
- No UV Emitted



Part Number:	OP2-1000W	OP2-1000C
Colours:	Warm White	Cool White
Colour Temperature:	2700-3300K	6000-7000K
Output Lumens:	200 lm	220 lm

Power Consumption:	4W
Input Voltage:	220-240V AC
Frequency:	50-60Hz
Storage Temperature:	-20 to +80°C
Operating Temperature:	-10 to +40°C
Viewing Angle	38 degrees
Life Expectancy:	>20000Hrs L <sub>70</sub> (>70% Lumens at 25°C)
LEDs:	3x1W
Certification:	CE, RoHS



**Tel: 0845 273 9800 Fax: 01477 500 656**  
**E-mail: [sales@diamondledlighting.co.uk](mailto:sales@diamondledlighting.co.uk)**  
**Web: [www.diamondledlighting.co.uk](http://www.diamondledlighting.co.uk)**